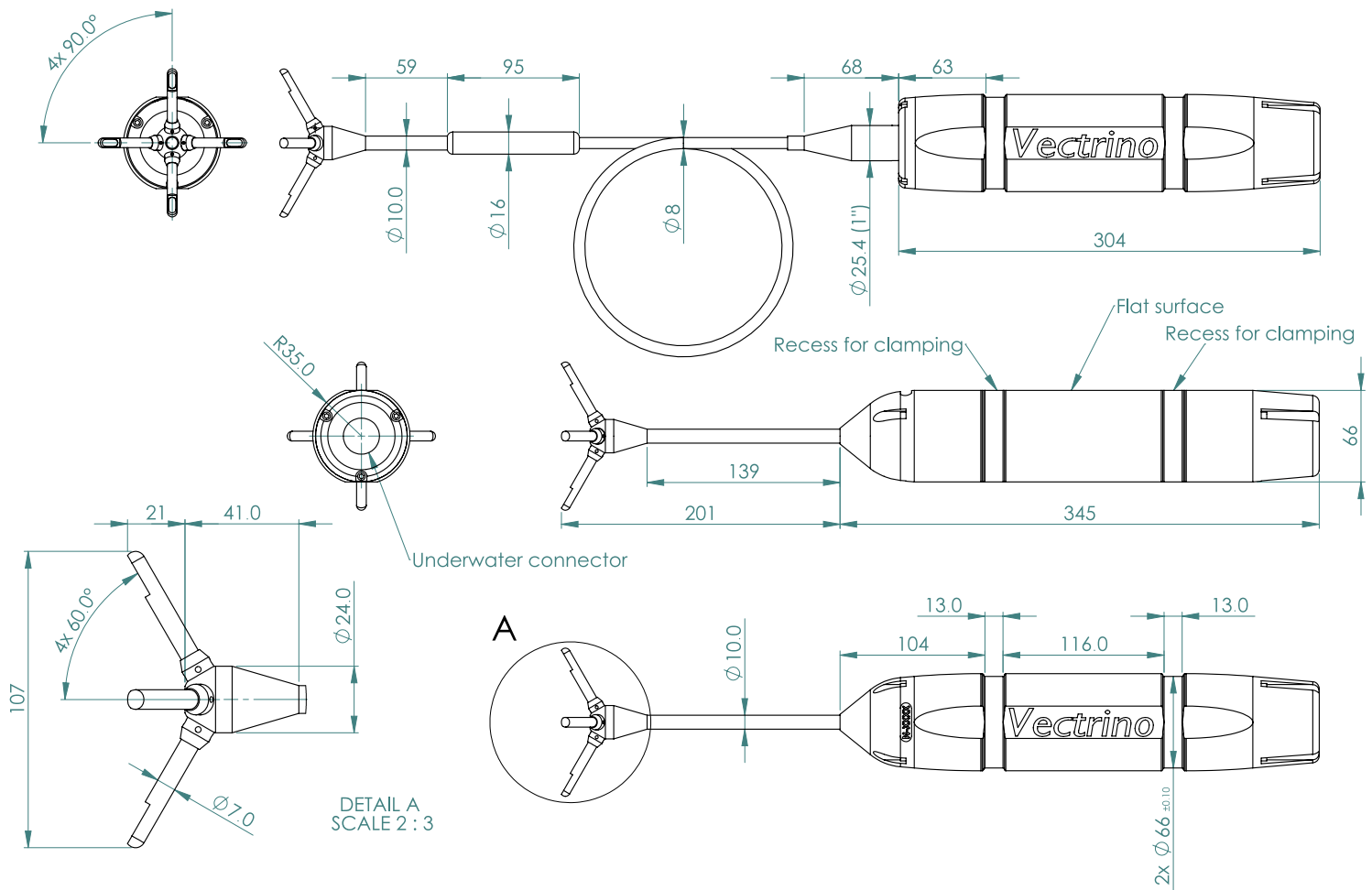
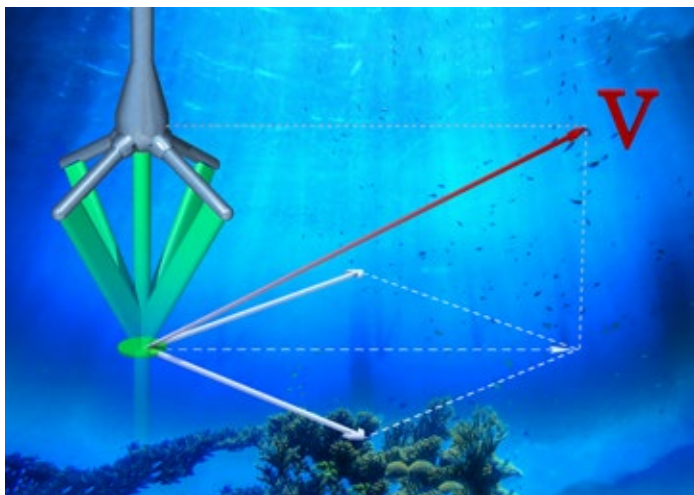


The Vectrino is a high-resolution acoustic velocimeter used to measure 3D water velocity in a wide variety of applications from the laboratory to the ocean in order to study rapid velocity fluctuations. The basis measurement technology is coherent Doppler processing, which is characterized by accurate data with no appreciable zero offset.

# Vectrino Field Probe



All dimensions in mm.



The acoustic sensor has one transmit transducer and four receive transducers. The sampling volume is located away from the sensor to provide undisturbed measurements. Acoustic Doppler Velocimeters work by sending out a short acoustic pulse from the transmit element. When the pulse travels through the focus point for the receiver beams, the echo is recorded in each of the acoustic receiver elements. The echo is then processed to find the Doppler



shift, the scaling is adjusted with the measured speed of sound in the liquid (hence the temperature measurement), and the velocity vector is recorded or transmitted to a PC at a rapid rate. The Vectrino field probe is typically used for applications like boundary layer measurement, beach run-up or for low flow studies in lakes, brooks and marshes.

CURRENT AND WAVE MEASUREMENTS IN THE OCEAN, LAKE AND LABORATORY



Nortek AS  
Vangkroken 2  
1351 Rud, Norway  
Tel: +47 6717 4500  
Fax: +47 6713 6770  
E-mail: inquiry@nortek.no



[www.nortek-as.com](http://www.nortek-as.com)  
True innovation makes a difference

## Water Velocity Measurements

Range:	±0.01, 0.1, 0.3, 1, 2, 4 m/s*) (user selectable)
Accuracy:	±0.5% of measured value ±1 mm/s
Sampling rate (output):	1–25 Hz (standard firmware), 1–200 Hz (plus firmware)

\*) The velocity range is not the same in the horizontal and vertical direction. Please refer to the configuration software.

## Sampling Volume

Distance from probe:	0.1 m
Diameter:	6 mm
Height (user selectable):	3–15 mm

## Echo Intensity

Acoustic frequency:	10 MHz
Resolution:	Linear scale
Dynamic range:	25 dB

## Sensors

<b>Temperature:</b>	Thermistor embedded in probe
Range:	–4°C to 40°C
Accuracy/Resolution:	1°C/0.1°C
Time response:	5 min

## Data Communication

I/O:	RS 232. The software supports most commercially available USB–RS 232 converters.
Communication Baud rate:	300–115 200 baud
User control:	Handled via Vectrino Win32® software, ActiveX® function calls, or direct commands.
Analog outputs:	3 channels standard, one for each velocity component.
Output range:	0–5 V, scaling is user selectable.
Synchronization:	SynchIn and SynchOut

## Multi Unit Operation

Software:	Polysync
I/O:	RS 232–USB support for devices with 1, 2, 4, and 8 serial ports.

## Software (“Vectrino”)

Operating system:	Windows®XP, Windows®7
Functions:	Instrument configuration, data collection, data storage. Probe test modes.



The Vectrino consists of two basic elements: the probe attached to a cylindrical housing and the processor inside the housing. From here the processed data is sent over a serial line or analog signals can be sent to an A/D converter.

## Power

DC Input:	12–48 VDC
Peak current:	2.5 A at 12 VDC (user selectable)
Max. consumption:	200 Hz 1.5 W

## Connectors

Bulkhead:	MCBH-12-FS, bronze (Impulse)
Cable:	PMCIL-12-MP – see also options below.

## Materials

Standard model:	Delrin® housing. Stainles steel (316) probe and screws.
-----------------	---

## Environmental

Operating temperature:	–4°C to 40°C
Storage temperature:	–15°C to 60°C
Shock and vibration:	IEC 721-3-2

## Dimensions

See drawing on front page

Weight in air:	1.3 kg
Weight in water:	0.1 kg

## Options

- Standard or Vectrino Plus firmware
- Fixed stem or flexible cable
- 10, 20, 30 or 50 m cable with Impulse underwater connector
- RS 232–USB converter (one-to-one, four-to-one or eight-to-one)
- Combined transportation and storage case



<http://www.youtube.com/NortekInfo>



<http://www.facebook.com/norteknews>



<http://twitter.com/norteknews>

**NortekMed S.A.S.**  
Z.I Toulon Est  
67, Avenue Frédéric Joliot-Curie  
BP 520, 83078 Toulon Cedex 09  
Tel: + 33 (0) 4 94 31 70 30  
Fax: +33 (0) 4 94 31 25 49  
E-mail: info@NortekMed.com

**NortekUK**  
Tresanton House  
Bramshott Court  
Bramshott  
Hants  
GU30 7RG, UK  
Tel: +44- 1428 751 953  
E-mail: inquiry@nortekuk.co.uk

**NortekUSA**  
27 Drydock Avenue,  
Mailbox 32, Boston,  
MA 02210-2377  
Tel: 617-206-5750  
Fax: 617-275-8955  
E-mail: inquiry@nortekusa.com

**青岛诺泰克测量设备有限公司**  
地址: 中国青岛香港西路65号  
汇融广场 1302  
邮编: 266071  
Tel: 0532-85017570, 85017270  
Fax: 0532-85017570  
E-mail: inquiry@nortek.com.cn

**Nortek B.V.**  
Schipholweg 333a  
1171 PL Badhoevedorp  
Nederland  
Tel: +31 20 6543600  
Fax: +31 20 6599830  
email: info@nortek-bv.nl

**Nortek Brasil**  
Av. Nilo Peçanha nº 50,  
grupo 2910 – Centro - Rio de Janeiro -  
RJ – Cep 20020-906.  
Tel: +55 (21) 4126-5954  
Cel: +55 (21) 85046798  
E-Mail nortek@nortekbrasil.com.br