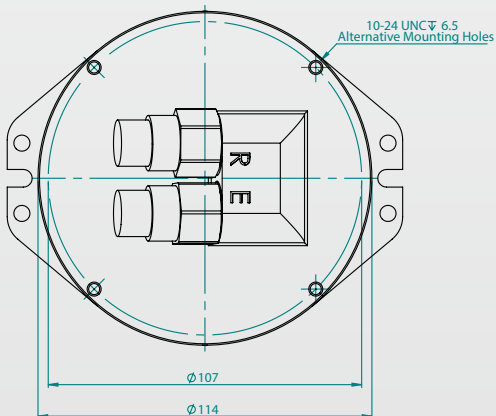
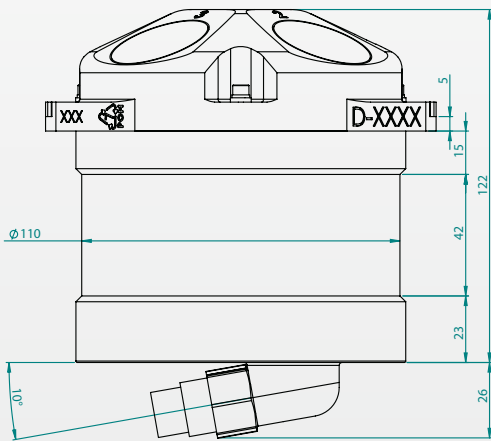
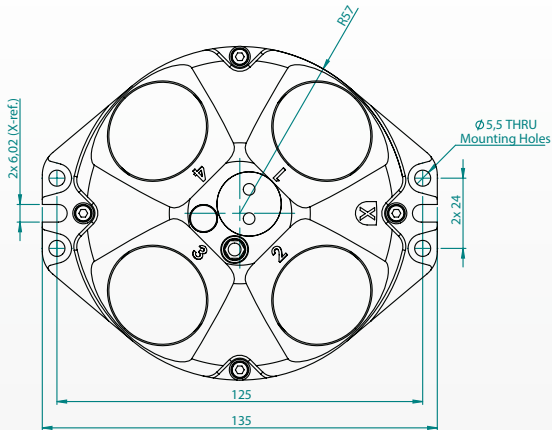


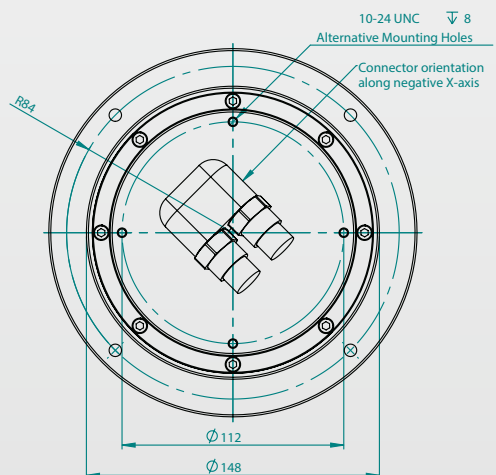
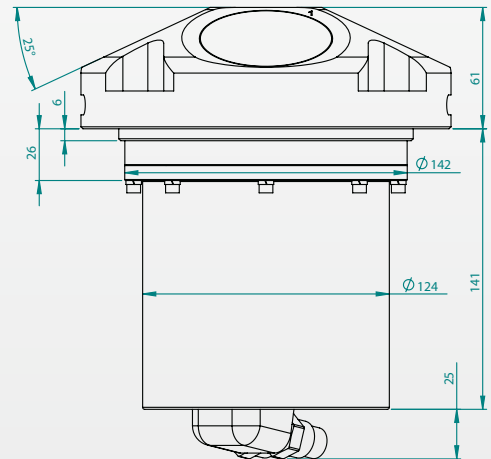
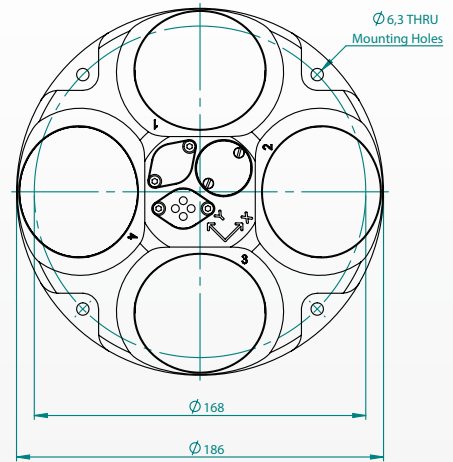
NORTEK DVL

TECHNICAL SPECIFICATIONS

DVL 1 MHz



DVL 500 kHz



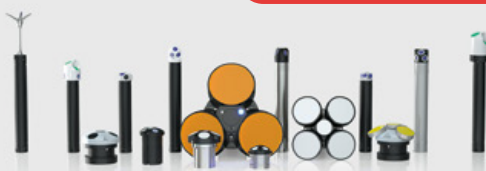
Transducer and connector angles are common for both the 1 MHz and 500 kHz

All dimensions in mm.

CURRENT AND WAVE MEASUREMENTS IN THE OCEAN, LAKE AND LABORATORY



Nortek AS
Vangkroken 2
1351 Rud, Norway
Tel: +47 6717 4500
E-mail: inquiry@nortek.no



www.nortek.no
True innovation makes a difference

Technical Specifications

Bottom Velocity	1 MHz	500 kHz
Single ping std @ 3m/s	0.5 cm/s	0.5 cm/s
Long term accuracy	±0.2% / ±0.1 cm/s	±0.2% / ±0.1 cm/s
Minimum altitude	0.2 m	0.3 m
Maximum altitude	50 m	180 m
Velocity range*	±16 m/s	±16 m/s
Velocity resolution	0.01 mm/s	0.01 mm/s
Ping rate*	8 Hz max	8 Hz max

*) Inquire for more options

Water Tracking		
Minimum accuracy	1% of measured value / ±0.5 cm/s	1% of measured value / ±0.5 cm/s
Minimum range	2.0 m	4.0 m

Current Profiling		
Minimum accuracy	1% of measured value / ±0.5 cm/s	1% of measured value / ±0.5 cm/s
Velocity resolution	0.1 cm/s	0.1 cm/s
Interval	User specified <i>nth</i> ping	User specified <i>nth</i> ping
Maximum range	30 m	70 m
Blanking	0.1m	0.5m
Cell size	0.2-2.0 m	0.5-4.0 m
Max # cells	150	140

Environmental		
Operating temperature	-4 to 40 °C	
Storage temperature	-20 to 60 °C	

Mechanical	Head & electronics		Titanium	
	1 MHz	500 kHz	1 MHz	500 kHz
Depth rating	1000 m	4000 m	1000 m	4000 m
Weight	0.8 kg	3.5 kg	2.0 kg	7.0 kg
Weight in water	-	-	0.9 kg	4.0 kg
Height	See drawing		See drawing	

Diameter	See drawing	See drawing
Hardware	1 MHz	500 kHz
Frequency of operation	1 MHz	500 kHz
Configuration	4-beam Janus array convex transducer, 25° beam angle	4-beam Janus array convex transducer, 25° beam angle

Internal memory	16 GB / 64 GB optional	16 GB / 64 GB optional
-----------------	------------------------	------------------------

Interfaces		
Serial (either serial or Ethernet)	Configurable RS232 or RS422	

Ethernet	10/100 Mbits Auto MDI-X TCP/IP, UDP, HTTP protocols Fixed IP/DHCP client/Static IP, UPnP IEEE1588/PTP for absolute time stamping	
----------	---	--

Data formats	Nortek proprietary w/ 1 ms time stamp accuracy, NMEA0183, Variants of PDO.	
--------------	--	--

Trigger	Internal 1, 2, 3, 4, 5, 6, 7 or 8 Hz Trigger option through command (Ethernet or serial) External TTL or 485 lines: - 1 input trigger (configurable Rising/Falling/Edges)	
---------	--	--

Sensors		
Pressure	0.1%FS / Precision better than 0.002% of full scale per sample	
Temperature	-4° to 40°C ±0.1°C	

Power	1 MHz	500 kHz
-------	-------	---------

DC input	12-48 v	12-48 v
----------	---------	---------

Maximum Peak Current	1.0 A	1.0 A
----------------------	-------	-------

Average power	1.3 W	2.6 W
---------------	-------	-------



TS-032-en-02.2016

twitter.com/norteknews

facebook.com/Norteknews

youtube.com/Nortekinfo

NortekMed S.A.S.
ZI Toulon Est
67, Avenue Frédéric Joliot-Curie
BP 520, 83078 Toulon Cedex 09
Tel: +33 (0) 4 94 31 70 30
Fax: +33 (0) 4 94 31 25 49
E-mail: info@NortekMed.com

NortekUK
Regus International House,
Southampton International Business Park,
George Curl Way,
Southampton,
SO18 2RZ, UK
Tel: +44 (0) 1428 751953
Fax: +44 (0) 7973389355
inquiry@nortekuk.co.uk

NortekUSA
27 Drydock Avenue,
Mailbox 32, Boston,
MA 02210-2377
Tel: 617-206-5750
Fax: 617-275-8955
E-mail: inquiry@nortekusa.com

Nortek China
Rm 1702
Software Building, No. 172
Minjiang Rd
Qingdao,
China
Tel: +86-532-85017270
Fax: +860532-85017570
inquiry@nortek.com.cn

Nortek B.V.
Schipholweg 333a
1171PL Badhoevedorp
Nederland
Tel: +31 20 6543600
Fax: +31 20 6599830
email: info@nortek-bv.nl

Nortek Brasil
Rua Domingues de Sá 386 casa 101 Icarai
24220-091 Niterói - RJ
Brasil
Tel: +55 (21) 4126-5954
Cel: +55 (21) 85046798
E-Mail nortek@nortekbrasil.com.br