

SPORT POP-UP

FLOTATION MOORING RECOVERY PACKAGE FOR THE EDGE TECH SPORT PUSH OFF RELEASE TRANSPONDER

FEATURES

- Reliable Pop-up design
- Configurable with various line lengths
- Works with SPORT acoustic releases
- Great positive buoyancy for recovery in strong currents
- Simple and easy maintenance
- Small lightweight package
- Release attached to top flotation portion & comes up with float upon release
- Full transponder capability
- Made with corrosion resistant materials
- 12000 unique command codes
- Auto disable (power saving)

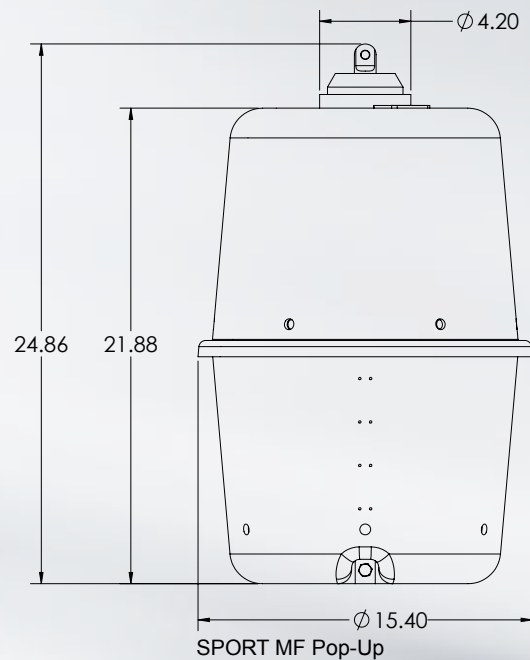
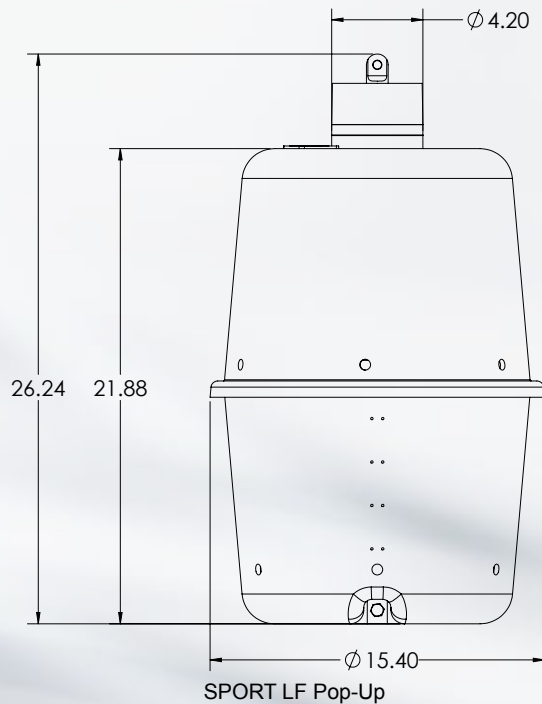


||| The SPORT Push Off Release Transponder Pop-up recovery package is ideal for deployments in coastal environments. The mechanical drive off system is the best choice for deployments where acoustic release mechanisms can experience growth or sediment build up. The Pop-up flotation package can be added to the SPORT family of acoustic releases. The canister can be outfitted with customer supplied rope (line) of various lengths.

SPORT POP-UP

FLOTATION MOORING RECOVERY PACKAGE FOR THE EDGE^{TECH} SPORT PUSH OFF RELEASE TRANSPONDER

MECHANICAL	
Release mechanism	Motor driven rotary type with thrust bearings and Ultem link
Release load rating	250 kg (550 lbs)
Lifting load rating	Depending on line selected
Depth rating	200 m (based on line length)
Line lengths / diameter	45 m (150 ft) 5/8" 100 m (325 ft) 3/8" 200 m (650 ft) 5/16" 400 m (1300 ft) 1/4"
Weight in air	43 lbs
Positive Buoyancy in Water (with SPORT Release)	21 lbs
ELECTRICAL	
Command frequencies	9.3 to 19.7 kHz (based on acoustic release selected for Pop-Up)
Command codes	BACS commands (EdgeTech formerly ORE Offshore)
Transmit Source Level	192 dB re 1 micro Pascal
Receiver sensitivity	100 dB re-1uPascal-meter
Battery life	Up to 5 years (based on acoustic release selected for Pop-Up)
Battery type	Welded alkaline pack



For more information please visit www.EdgeTech.com

info@EdgeTech.com | USA 1.508.291.0057